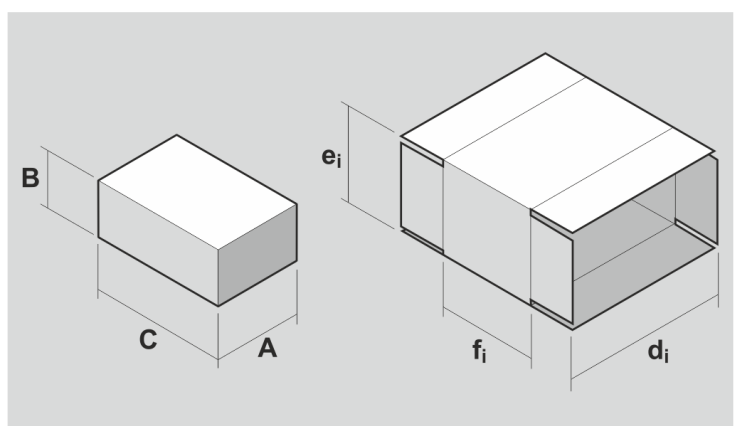
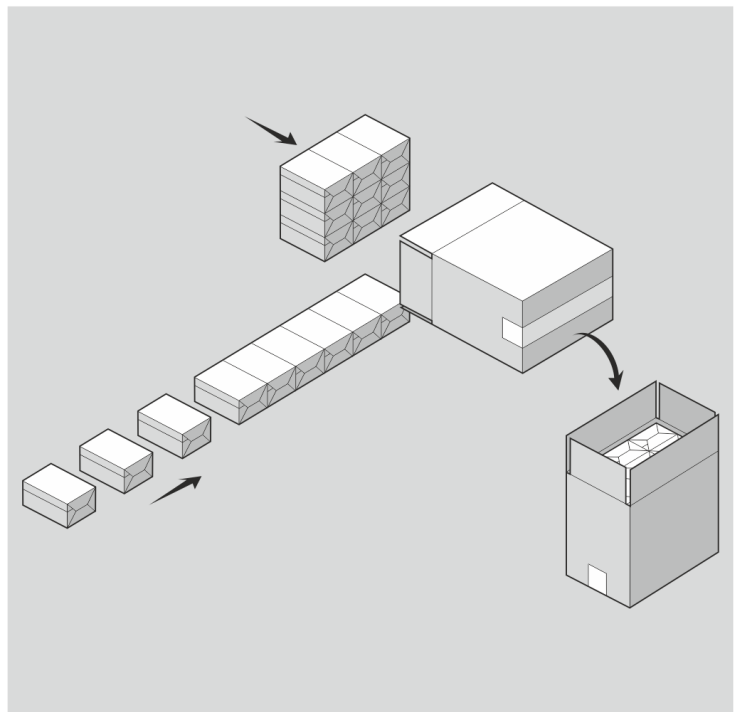
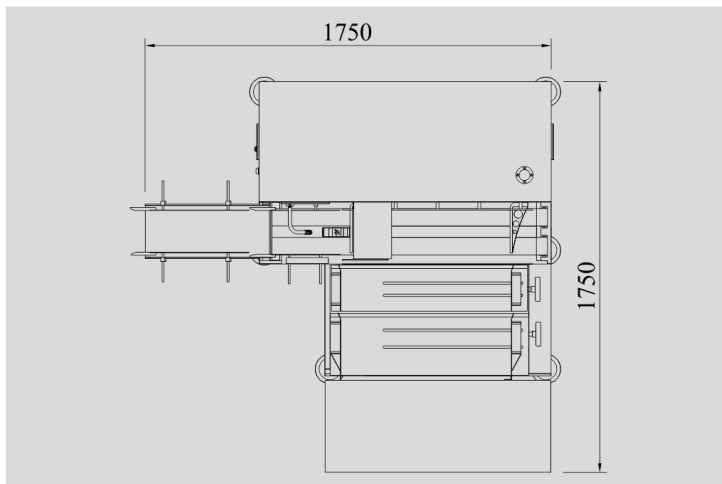




Semi-automatic Case Packer SCP 644

DESCRIPTION

- Fully servo driven machine with precise positioning
- Customise carton stack output as per shipper requirement
- Cartons can be rotated length wise for shipper loading
- Packing of Single & Multi layer shippers possible
- Dual mode of operation -
 1. As a Case Packer
 2. Manual stack collator
- Flexible design - LHS & RHS machine output possible



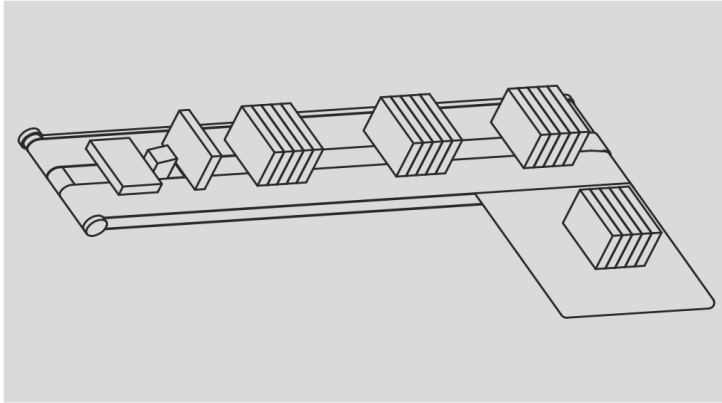
TECHNICAL DATA

Mechanical speed	STROKES/1'	max. 5
Carton infeed speed	CPM	220
Power absorption	KW	3
Air consumption	CFM	10
Air pressure	bar	5 - 6
Net weight	kg	~650

Size range	min.	max.
A	40	100
B	15	100
C	55	180
d_i	200	600
e_i	150	400
f_i	100	400



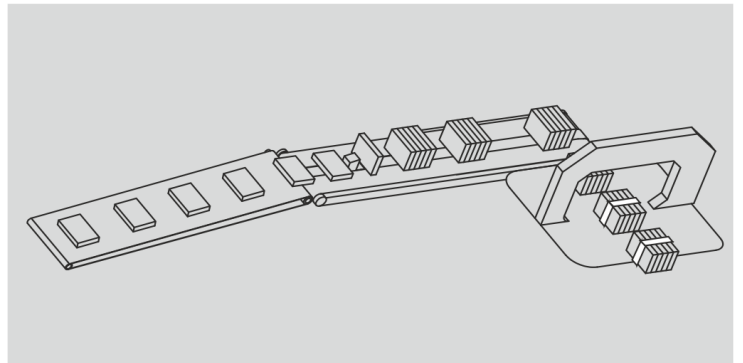
Automate your Packaging process with Servo Carton Collator



- Gives stack of cartons in vertical orientation for further packing
- Given stack can be directly packed into outer carton/shipper
- Machine is attached at the end of secondary packaging line
- Fully servo driven machine with precise positioning
- Customise carton stack output as per outer carton / shipper requirement

Servo Carton Collator with Banding

- Machine output is directly linked to banding machine
- Linkup to banding is compact and effortless
- Can be directly linked to Bandall banding machine or similar type machine
- Dual mode of operation - solo collator and collator with banding



A S AUTOMATIONS



Scan for Website



Plot No. 122, Sector 7, Vishweshwar Chowk,
Bhosari, Pune - 411026. Maharashtra, INDIA



asautomations@yahoo.com



Office : +91 7875108888



Mobile : +91 9890198565



www.asautomations.com